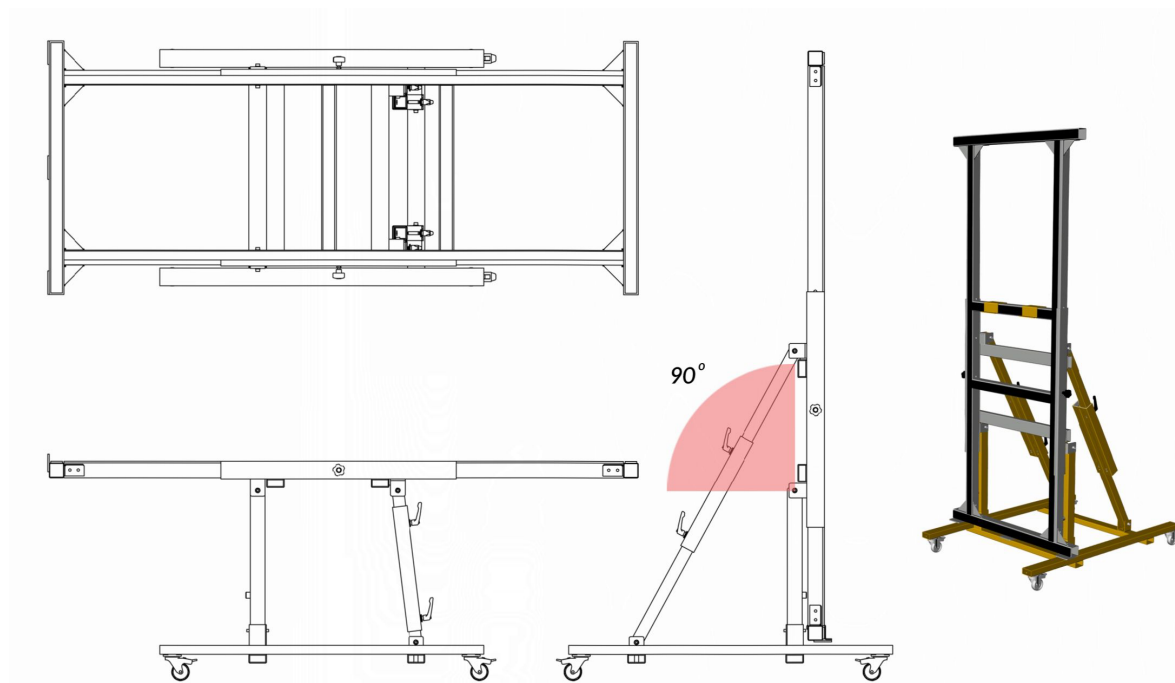


Universal multibench / standard version
with a tilting work frame.
CODE: USTM_C90



Description	Value	Colour / Quantity included
1 Work frame: dimension	800 x 2000 mm	Ral 7035
2 Work surface height	750 mm	
3 Bench weight	55 kg	
4 Allowable uniform load in horizontal position	200 kg	
5 Allowable uniform load in vertical position	150 kg	
6 Work frame supports: fixed / movable		Ral 1021; 2/2
7 Work frame tilt angle	0-90 degrees	
8 1000 mm roller table unit installation compatible	Yes	None
9 Wheeled base: fixed / with lock	Yes	Ral 1021; 2/2
10 Detachable wheeled base	Yes	
11 Baseplates can be secured with retaining brackets / straight fixtures / corner fixtures	Yes	2+2 + 2
12 Additional side support	No	None
13 The work frame has to be moved when tilted to 90 degrees	Yes	

Product of the BULKON group – see more at [www bulkon.pl](http://www.bulkon.pl) / info: biuro@bulkon.pl
Company: Borucki Studio Design ul. Jakuba Goyki 10A/4 81-715 Sopot / www.boruckidesign.com
We keep on developing the usability of our products, so their details may differ from those presented in the catalogue.