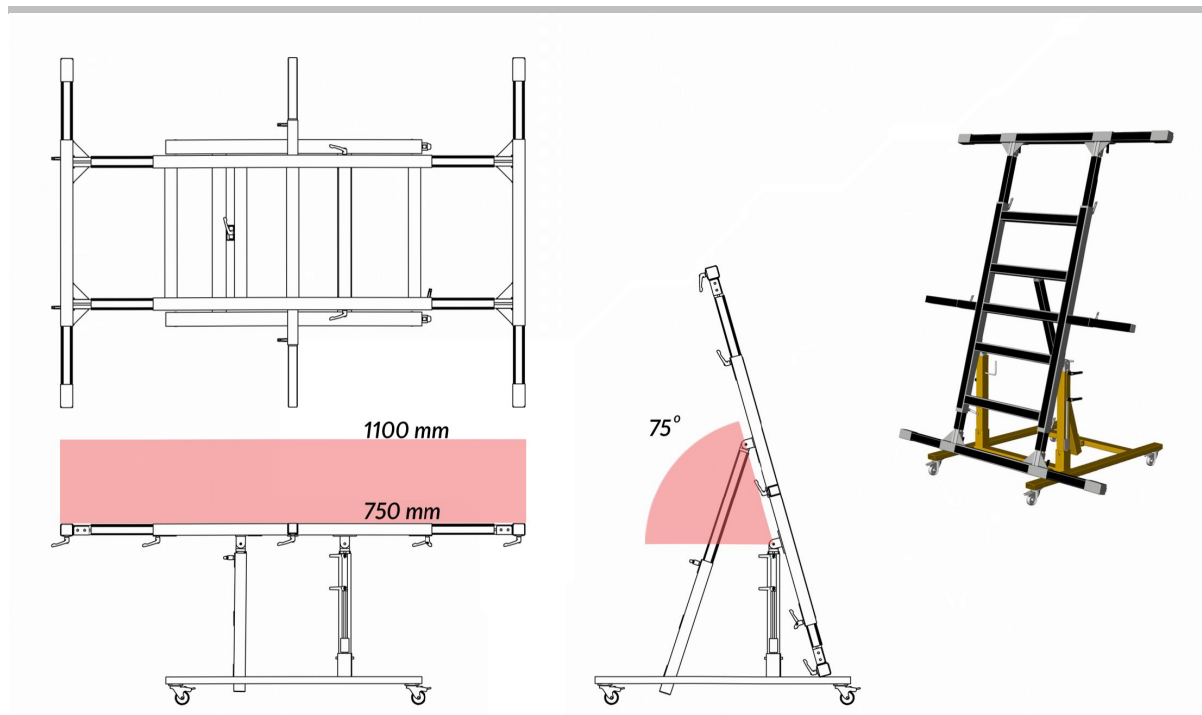


Universal multibench / premium version
with an extendable and raised work frame
CODE: USTM_D75



Description	Value	Colour / Quantity included
1 Work frame: dimension / when extended	1000 x 1500/ 1500x2000 mm	Ral 7035
2 Work surface height	750 - 1100 mm	
3 Bench weight	56 kg	
4 Allowable uniform load in horizontal position	200 kg	
5 Allowable uniform load in vertical position	150 kg	
6 Work frame supports: fixed / movable		Ral 1021; 2 /1
7 Work frame tilt angle	0-75 degrees	
8 1000 mm roller table unit installation compatible	Yes	NONE
9 Wheeled base: fixed / with lock	Yes	Rai 1021; 2/2
10 Detachable wheeled base	Yes	
11 Baseplates can be secured with retaining brackets / straight fixtures / corner fixtures	Yes	2 + 2 + 2
12 Additional side support	Yes	2
13 The work frame has to be moved when tilted to 75 degrees	No	

Product of the BULKON group – see more at [www bulkon.pl](http://www.bulkon.pl) / info: biuro@bulkon.pl
Company: Borucki Studio Design ul. Jakuba Goyki 10A/4 81-715 Sopot / www.boruckidesign.com
We keep on developing the usability of our products, so their details may differ from those presented in the catalogue.