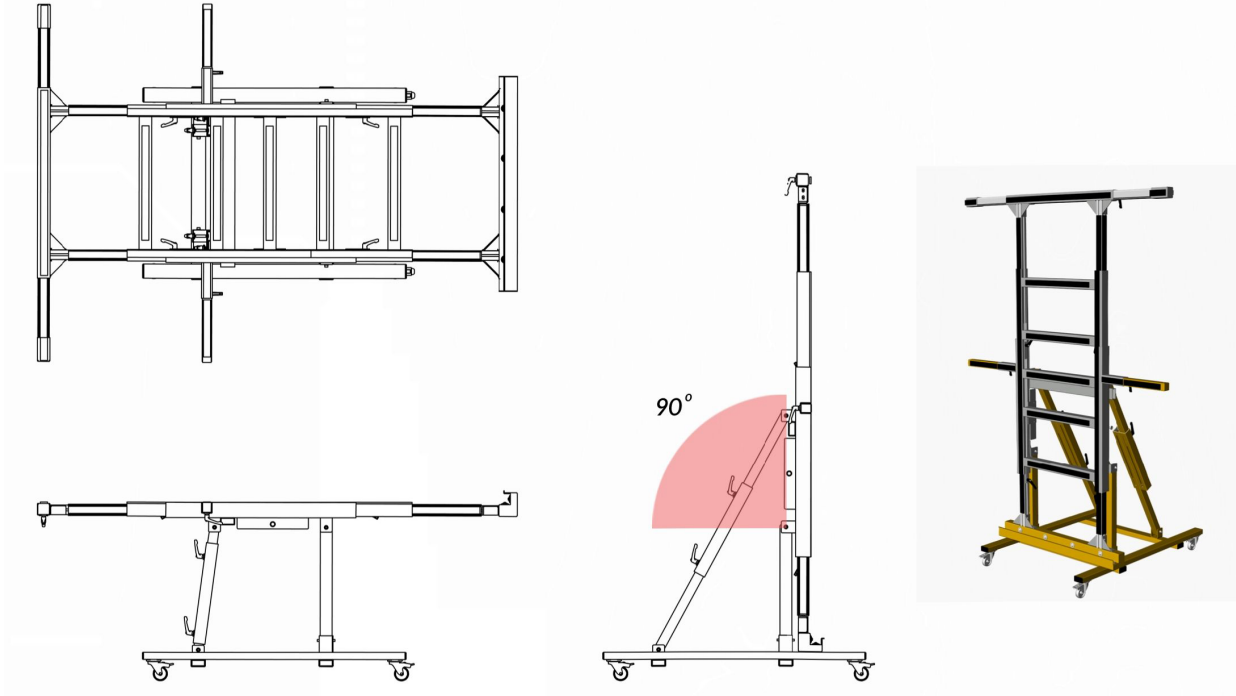


Universal multibench / premium version
with an extendable work frame and roller table unit
CODE: USTM_D90_ZR



	Description	Value	Colour / Quantity included
1	Work frame: dimension / when extended	1000 x 1500/ 1500 x 2000 mm	Rai 7035
2	Work surface height	750 mm	
3	Bench weight	70 kg	
4	Allowable uniform load in horizontal position	200 kg	
5	Allowable uniform load in vertical position	150 kg	
6	Work frame supports: fixed / movable		Rai 1021; 2/1
7	Work frame tilt angle	0-90 degrees	
8	1000 mm roller table unit installation compatible	Yes	1
9	Wheeled base: fixed / with lock	Yes	Rai 1021; 2/2
10	Detachable wheeled base	Yes	
11	Baseplates can be secured with retaining brackets / straight fixtures / corner fixtures	Yes	2+2 + 2
12	Additional side support	Yes	2
13	The work frame has to be moved when tilted to 90 degrees	Yes	

Product of the BULKON group – see more at www.bulkon.pl / info: biuro@bulkon.pl
Company: Borucki Studio Design ul. Jakuba Goyki 10A/4 81-715 Sopot / www.boruckidesign.com
We keep on developing the usability of our products, so their details may differ from those presented in the catalogue.